



(855) 879-8088
www.atconversions.com
info@atconversions.com

ATC GULLWING TRUCK CONVERSIONS

2014-2022 Chevrolet Silverado & GMC Sierra

- New, Used, or Customer Supplied
- Driver or Passenger Side Conversions
- 2 Wheel or 4 Wheel Drive
- Conversions work with most powerchairs, manual wheelchairs, or the original factory seat
- Full 3 Year / 36,000 Mile Conversions Warranty
- Best in Class Ingress/Egress & Interior Space



ATC GULLWING SUV CONVERSIONS

2015-2022 Cadillac Escalade/ESV, Chevrolet Suburban & Tahoe, GMC Yukon/XL

- New, Used, or Customer Supplied
- Driver or Passenger Side Conversions
- Conversions work with most powerchairs, manual wheelchairs, or the original factory seat
- Full 3 Year / 36,000 Mile Conversions Warranty
- Best in Class Ingress/Egress & Interior Space



ATC GULLWING CROSSOVER CONVERSIONS

2019-2022 Chevrolet Traverse & Buick Enclave

- New, Used, or Customer Supplied
- Driver or Passenger Side Conversions as well as tie down in second row
- Conversions work with most powerchairs, manual wheelchairs, or the original factory seat
- Full 3 Year / 36,000 Mile Conversions Warranty
- Best in Class Ingress/Egress & Interior Space



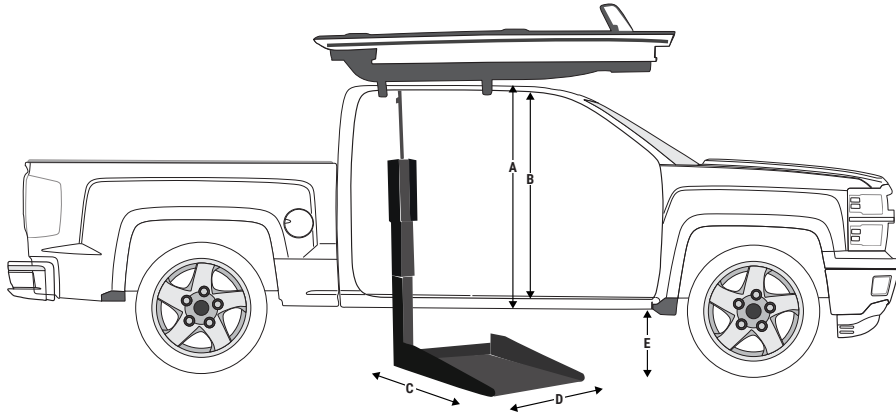
**FSS/GSA
PRICING**

**USED-NEW
VEHICLE
CONVERSION**

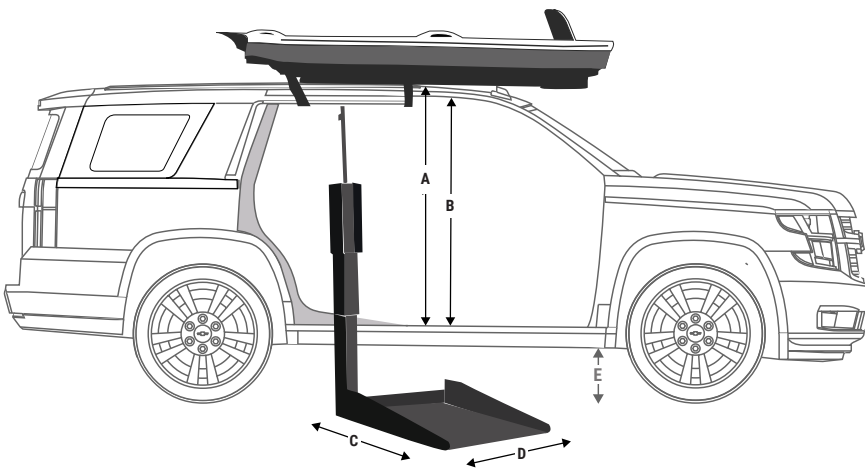
**FIRST TIME BUYER
GOVERNMENT
GRANT**

**TRADE IN &
TRADE UP TO
ATC LUXURY**

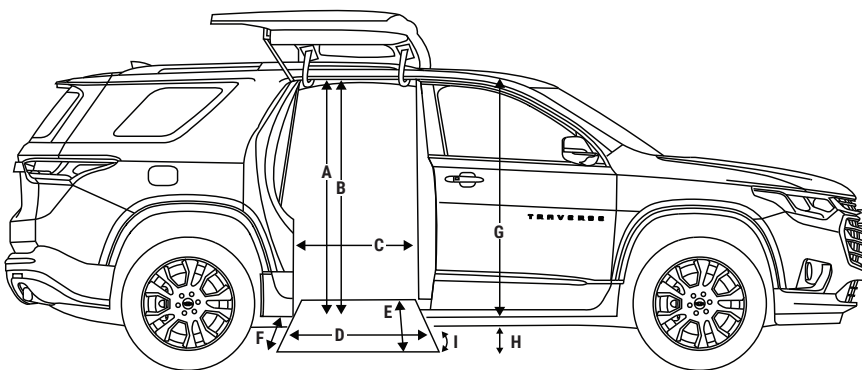
ATC SPECIFICATIONS



ATC TRUCKS		
A	Entry Height	52.5" - 54.5"
B	Ceiling Height	54.5" - 58.5"
C	Length	46.5" - 51.5"
D	Width	24.5" - 28.5"
E	Ground Clearance*	8"-11"
Weight Capacity		750 lbs.



ATC LARGE SUVS		
A	Entry Height	52.5"
B	Ceiling Height	54.5" - 56.5"
C	Length	46.5" - 51.5"
D	Width	24.5" - 28.5"
E	Ground Clearance*	8"-11"
Weight Capacity		750 lbs.



ATC TRAVERSE		
A	Interior Height	60"
B	Door Opening Height	60"
C	Door Opening Width	33.5"
D	Ramp Width	31.75"
E	Ramp Total Length	40"
F	Ramp Length from Doorway	0"
G	Interior Front Seat Area Height	59.5"
H	Ground Clearance	6"
I	Ramp Angle	9.1°
Weight Capacity		800 lbs.

* Ground Clearance on ATC Trucks and Large SUVs is dependant upon how a vehicle is equipped. It is not affected by an ATC conversion.

** Specification's based on current 2019 model year ATC Gull-Wing Conversion. Measurements vary based on vehicle trim levels. To ensure best vehicle fit, please visit your local ATC dealer or contact ATC corporate to confirm a proper fit prior to purchasing. All information is subject to change without notice. Please contact ATC for the most recent ATC conversion specifications.



(855) 879-8088
info@atconversions.com
www.atconversions.com