

REVIVER™



# Modern Licensing for Modern Living

Battery Powered RPlate  
Setup + Install Guide

Hi, We're Reviver

Our team has pioneered development of the world's first digital license plate + connected vehicle platform.

Thanks for joining us on our mission to modernize the driving experience.

Visit **reviver.com** to see where our journey is headed next.

REVIVER™

# Overview: Setup + Installation

**1** Download Reviver App

**2** Activate your new RPlate

Wait until receiving confirmation that your RPlate is activated before installing device.

**3** Install RPlate Device

# 1 Download Reviver App

## Download the App

Download the Reviver app at the **Apple Store** for your iPhone or the **Google Play Store** for your Android.



# 2 Setup Your New RPlate

## a. Create Reviver Account

Create your Reviver account in the mobile app.

## b. Add Your RPlate to Your Account

Scan the serial number on the front top right corner of your plate and enter the **email used when purchasing your RPlate**.

## c. Setup Your RPlate

Follow the in-app instructions to setup your RPlate and add your vehicle registration to the device. You will need to submit photos of your latest vehicle registration document and your license plate.

## d. Post-Setup Plate Refresh

Once our team has confirmed your vehicle and plate info, you will receive a notification by email and through your Reviver app to refresh your RPlate and display your license plate image.



### Is Your RPlate showing a "Detached" Message?

Make sure that it is in contact with the included metal bracket that you will attach to the rear of your car shortly. The RPlate has an anti-theft sensor – attaching it to the bracket will allow you to complete step 2d.



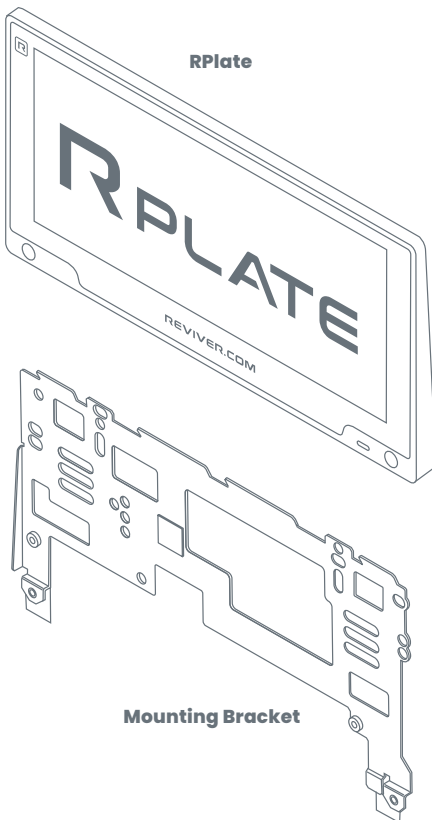
### **Wait For Activation + License Plate Image to Display Before Installing Device**

Only move to step 3 and install your RPlate hardware after you have received app and email confirmation that your plate has been setup and your license plate image is displaying. This normally takes one business day, but can sometimes take a few days for DMV approval, depending on weekends or holidays.

## **3 Install RPlate Device**

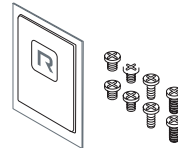
Follow these detailed instructions to install the RPlate on your vehicle.

### **What's In the Box**



#### **Bag A**

- Alcohol wipe
- Screws with colored dot:
  - Brown - 2
  - Blue - 2
  - Yellow - 2
  - Green - 2
  - White - 2
  - Black - 2



#### **Bag B**

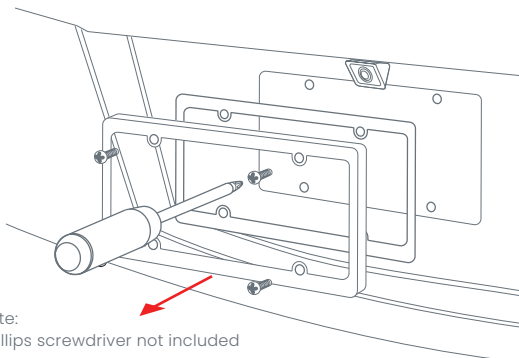
- Front Screws - 2
- Rubber plugs - 2
- L-wrench (Torque 20)



#### **Tools that are not included:**

- Phillips + flat screwdriver
- Microfiber towel
- Glass cleaner

## A Remove Metal License Plate



Note:  
Phillips screwdriver not included

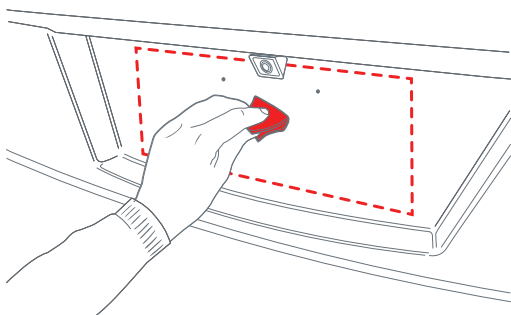
### Make sure to also remove:

- Plate, frame + screws
- Adapters / Brackets
- Foam or tape



Some international models may require Torque 20 tool to remove adapter. Found in **Bag B**.

## B Prepare For Installation

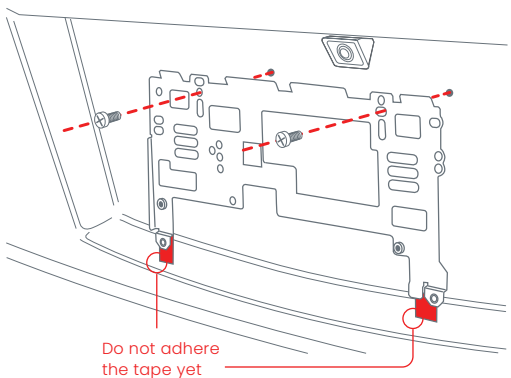


### Clean surface with provided alcohol wipe



On vehicles with special coating (ceramic, wrap and matte finish), use microfiber towel and glass cleaner.

## C Mount Bracket



Do not adhere the tape yet

### Mount the RPlate bracket with correct screws

Make sure holes are aligned to prevent blocking camera.

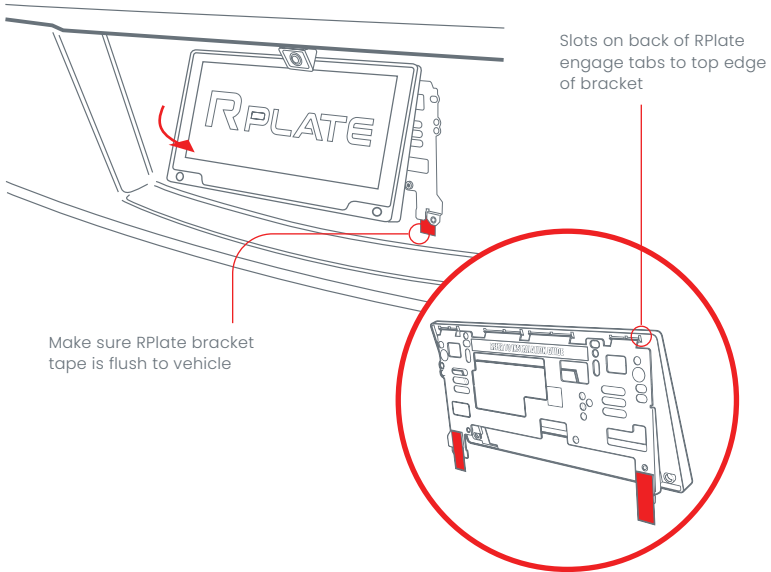
Find the right screw by comparing the diameter or threading of the old plate screw vs. the screw options provided.



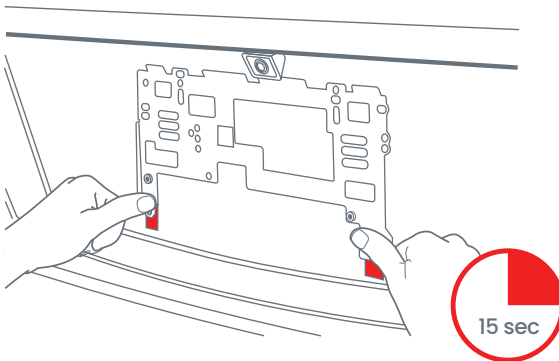
Old plate screw

New plate screw

## D Test Fit RPlate



## E Install RPlate Bracket



### Bracket Adjustments

Remove RPlate. Pull red liners and press tape firmly to clean vehicle surface for 15 seconds.

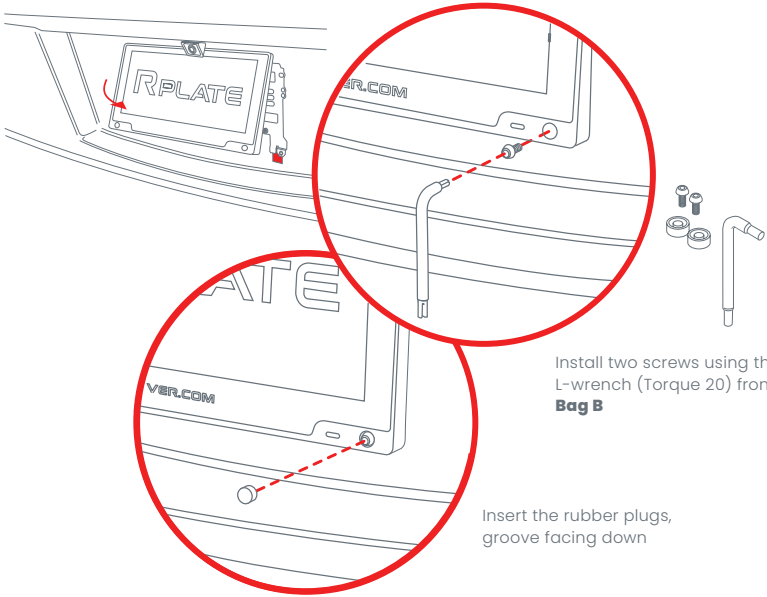


Ensure screws are fully fastened.

Use supplied screws only (**Bag A**).

## F Secure RPlate To Bracket

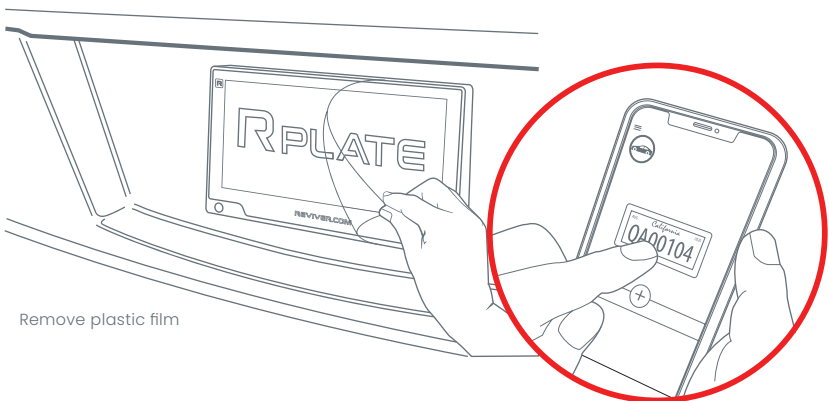
Replace RPlate by repeating step 4



Install two screws using the L-wrench (Torque 20) from **Bag B**

Insert the rubber plugs, groove facing down

## G Final Steps





Remove plastic film

Follow instructions in the app to complete pairing and setup



# You're Ready to Hit the Road!



100% of our packaging is compostable or recyclable. Please join us in our commitment to a healthy planet by disposing of your materials responsibly.

	<b>Compostable</b>	Box, Cradle
	<b>Recyclable</b>	Foam, Plastic Bags, Paperwork

## Feedback

### Happy?

So are we!

- Tell your friends and family and give them a 10% discount on their first year with promo code **FRIEND10**
- Leave us a review  
 
- Connect with us and share your **#RPLATE** photos



### Not happy yet?

We'd like to help.

- **Visit**  
[support.reviver.com](https://support.reviver.com)
- **Email**  
[support@reviver.com](mailto:support@reviver.com)

**This guide contains important information. Please keep it for future reference.**

Designed by Reviver in California. Assembled in Taiwan. RPlate is a registered trademark of Reviver © 2019 All rights reserved.

 **CAUTIONS + WARNINGS**

**CAUTION:** For vehicles with paint protective film, ceramic coating or matte finish use soap, water and dry cloth to clean surface before installing license plate.

**CAUTION:** Routinely check this product for proper and safe condition. If there is any damage or broken parts, remove product from use.

**CAUTION:** If for any reason the screen (display) is fractured or cracked, immediately remove this product from use and contact Reviver Consumer Services for replacement if under warranty.

**CAUTION:** The display module should not be exposed to harmful gases, such as acid and alkali gases, which corrode electronic components.

**CAUTION:** Disassembling the display module can cause permanent damage and invalidate the warranty agreement.

**CAUTION:** Observe general precautions that are common to handling delicate electronic components. The glass can break, and front surfaces can easily be damaged. Moreover, the display is sensitive to static electricity and other rough environmental conditions.

**WARNING:** The display glass may break when it is dropped or bumped on a hard surface. Handle with care. Should the display break, do not touch the electrophoretic material. In case of contact with electrophoretic material, wash with water and soap.

**WARNING:** This product contains chemicals known to the State of California to cause cancer and birth defects or other reproductive harm.

**NOTICE:** Use mounting hardware sent with RPlate to attach mounting bracket. Wipe car surface prior to install. Ensure product installed correctly.

**NOTICE:** Do not use product if it was damaged in an accident.

**NOTICE:** RPlate is sold as rear license plate. Consult with applicable laws and regulations imposed by state agencies with respect of display of the front license plate.

**NOTICE:** Tools may be required to remove the license plate, adapter, and foam.

**Battery replacement Instructions:**

RPlate includes a non-rechargeable lithium battery pack designed by Reviver. For replacement, only use Reviver products. For further instruction, please go to [www.reviver.com/legal](http://www.reviver.com/legal).

**Battery safety:**

Dispose of used battery pack properly. Only battery pack provided by Reviver is acceptable for replacement.

**DO NOT** incinerate used batteries.

**DO NOT** dispose of batteries in fire, as batteries may explode or leak.

**DO NOT** recharge non-rechargeable batteries.

**DO NOT** short-circuit the supply terminals.

**DO NOT** expose to temperatures beyond the specified temperature range.

**DO NOT** crush or puncture.

**DO NOT** open cells, do not disassemble battery packs.

**DO NOT** expose contents to water.

**DO NOT** connect with false polarity.

**DO NOT** weld or solder to the battery's body.

**FCC NOTICE:**

This device complies with Part 15 of the FCC rules. Operation is subject to the following two conditions: 1) This device may not cause harmful interference, and 2) This device must accept any interference received, including interference that may cause undesired operation.

**NOTE:** This equipment has been tested and found to comply with the limits for a Class B digital device, pursuant to part 15 of the FCC Rules. These limits are designed to provide reasonable protection against harmful interference in a residential installation. This equipment generates uses and can radiate radio frequency energy and, if not installed and used in accordance with the instructions, may cause harmful interference to radio communications. However, there is no guarantee that interference will not occur in a particular installation. If this equipment does cause harmful interference to radio or television reception, which can be determined by turning the equipment off and on, the user is encouraged to try to correct the interference by one or more of the following measures:

- Reorient or relocate the receiving antenna.
- Increase the separation between equipment and receiver.
- Consult the dealer or an experienced radio/TV technician for help.

**NOTE:** Changes or modifications to this unit not expressly approved by Reviver could void the user's authority to operate the equipment.

FCC Declaration of Conformity

Trade Name: RPLATE

Model Number: ATT

Contains: FCC ID: XPY2AGQN4NNN

Contains: FCC ID: XPYNINAB1

**Electronic waste:** To recycle product, visit your local e-waste collection facility or local recycler. Reviver offers a mail-back program for its products. Reviver will ensure recycling and disposal are performed in an environmentally sound manner that complies with all governmental laws and regulations. To access the mail-back program, reach out to the Reviver customer service.

**Customer service contact:** Contact our consumer support at [support@reviver.com](mailto:support@reviver.com).

**Warranty:** Subject to a limited two (2) year warranty. Visit Terms of Sale and Use for full details. Reviver shall not be liable for any incidental or consequential damages for the breach or any warranty on this product. Some jurisdictions do not allow the exclusion or limitation of incidental or consequential damages, or limitation on how long an implied warranty lasts, so the above limita-

